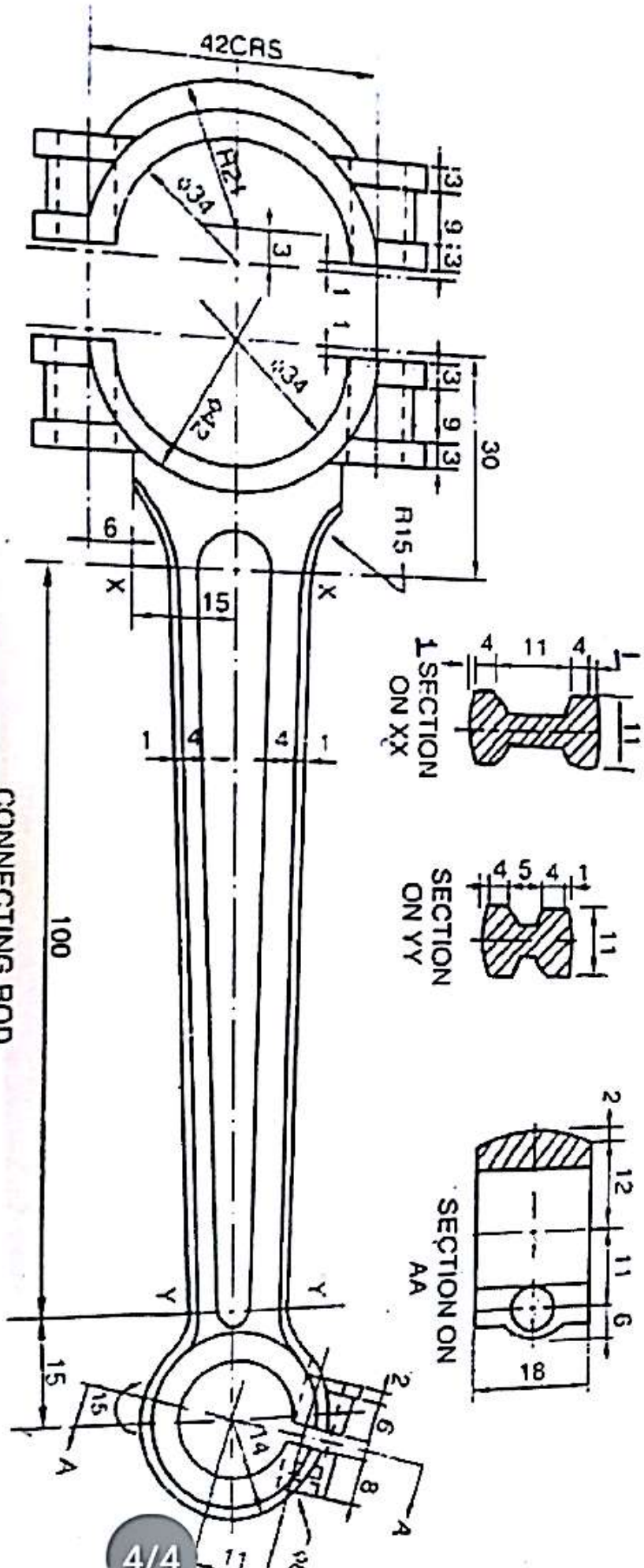
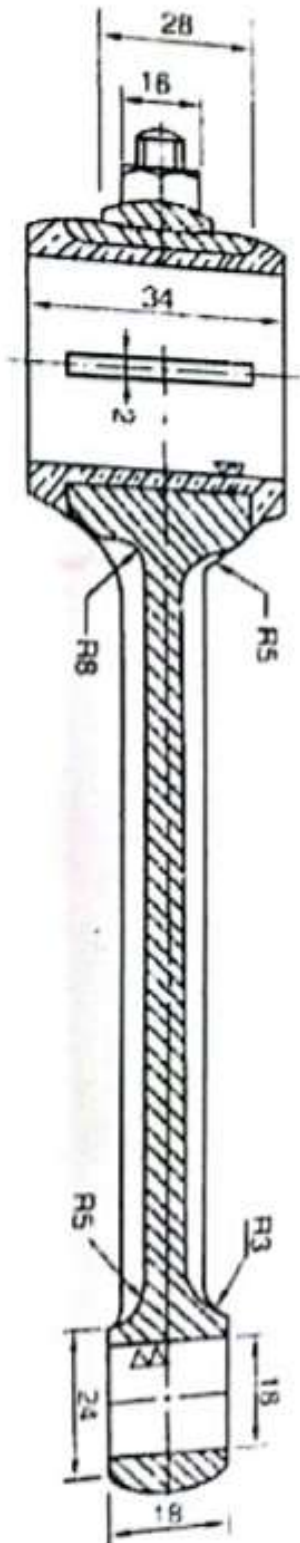
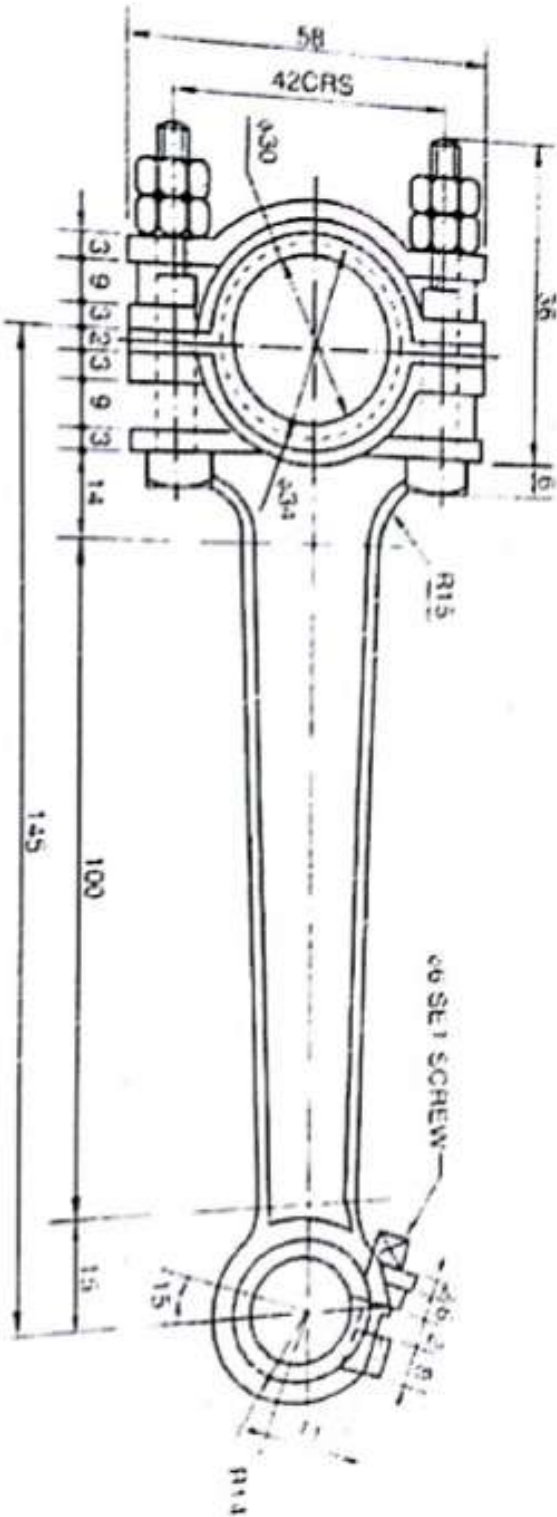
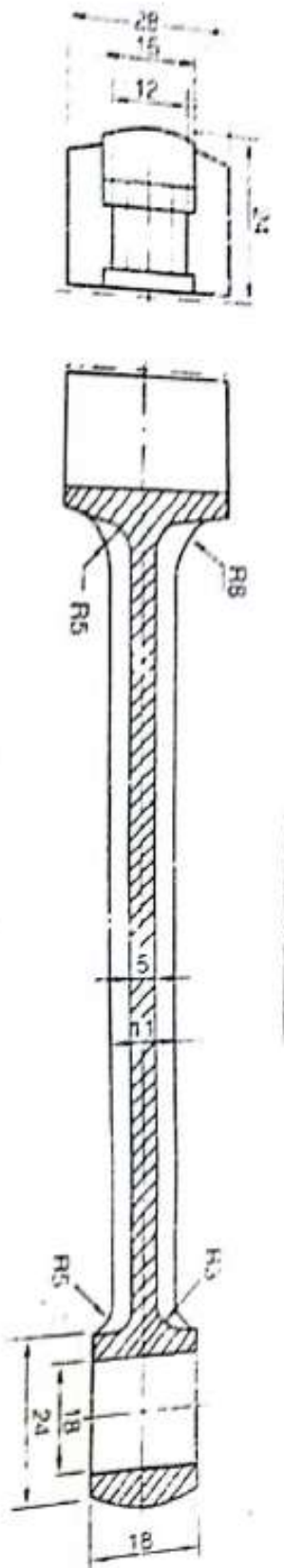


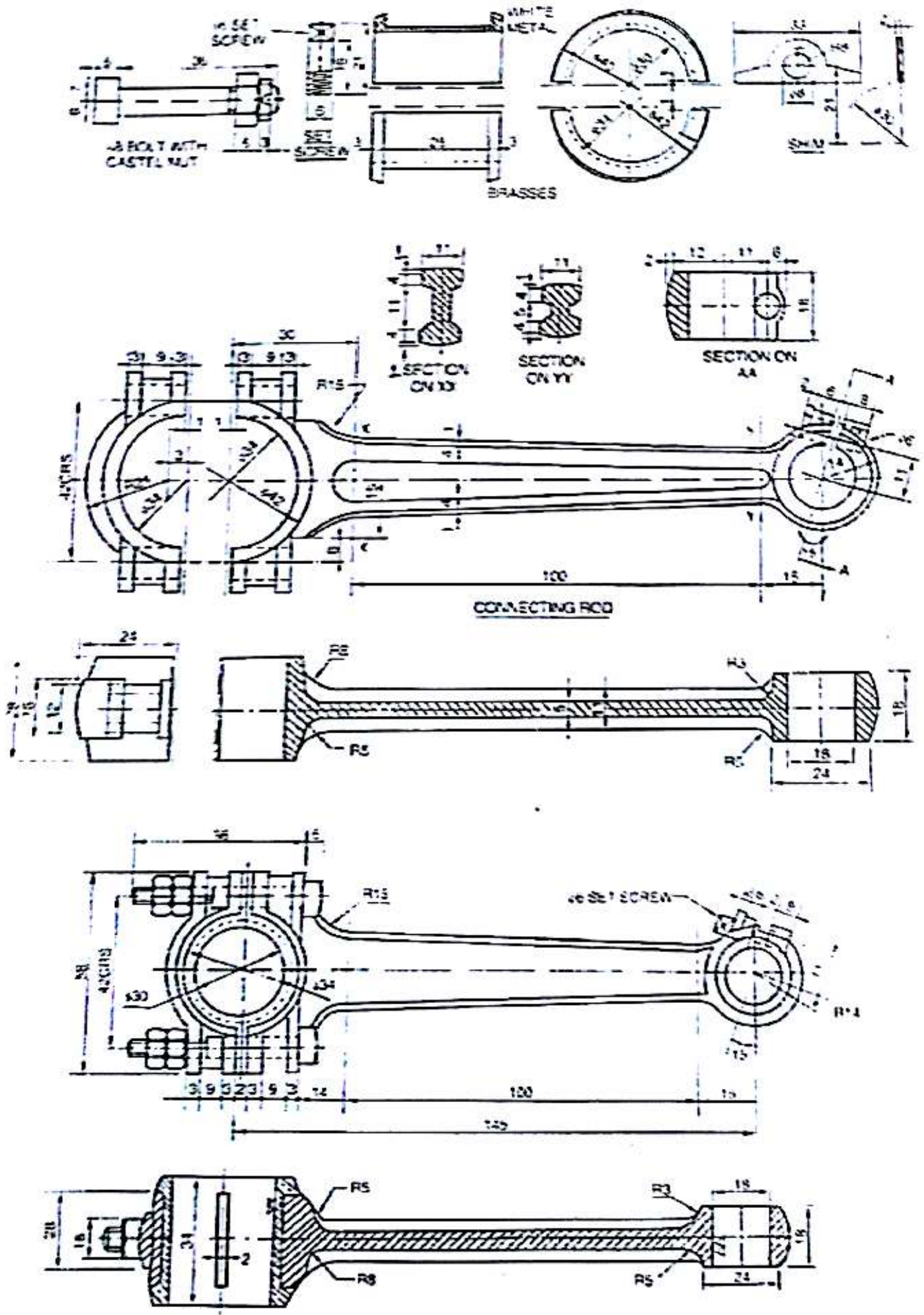
CONNECTING ROD





Question: Assemble the parts and draw the following views of it: (a) front view upper half in section

(b) top view full in section.



on: Assemble the parts and draw the following views of it: (a) front view upper half in section and view full in section.